



USER MANUAL

Руководство по эксплуатации

ELECTRIC PLANER

РУБАНОК ЭЛЕКТРИЧЕСКИЙ

EP-82

27801

EN

RU



IMPORTANT
ВНИМАНИЕ

Read this manual before use and retain for future reference.

Прочитайте данное руководство перед эксплуатацией устройства и сохраните его для дальнейшего использования.

The date of manufacture is indicated on the product.

Дата изготовления указана на изделии.

CONTENT





SAFETY WARNINGS	3
PROPER USAGE	3
COMPLETENESS.....	4
SPECIFICATIONS.....	4
SAFETY REQUIREMENTS	4
DEVICE OVERVIEW.....	7
OPERATION.....	8
NOISE AND VIBRATION.....	10
MAINTENANCE.....	10
FAULTS AND TROUBLESHOOTING	11
RECYCLING.....	11
STORAGE	11
TRANSPORTATION.....	12
LIFE TIME.....	12
WARRANTY OBLIGATIONS.....	12

Dear Buyer!

This product is a technically complicated one. Study thoroughly the present manual before the first start and follow all the safety precautions strictly! The negligence of them may lead to dangerous injuries! The design of the product is under constant upgrading, that is why some changes which are not included in the present manual are possible, but they do not detract the service properties of the product.

SAFETY WARNINGS

The following definitions indicate the degree of importance of each keyword. Read through the instructions and pay attention to these symbols.

	ATTENTION! Means a potentially dangerous situation, which can lead to severe injury or equipment damage.
	Electric Shock Risk!
	Flammability!
	ATTENTION! Read the manual attentively in order to reduce the risk of injury.

PROPER USAGE

Electric planer (hereinafter referred to as «planer», «machine», «tool») is designed for processing flat surfaces of wood and its derivatives, chamfering, sampling quarters (steps).

The device is designed for usage at a environment temperature from 0 °C to 40 °C, relative humidity not more than 80% and a lack of direct exposure of atmospheric condensation and excessive air dustiness.

The machine is suitable only for private use and must be used in intermittent duty not more than 20 hours per month. It is recommended to use on-loading not more than a nominal, during 10-15 minutes and then to have a break for 20-30 minutes. This usage mode enables to complete domestic tasks effectively and prevents the tool from a premature coming out of order.

This manual contains the information and the requirements necessary and sufficient for a sure, effective and secure use of the rotary hammer.

Due to ongoing activities in order to improve the tool the manufacture reserves the right to make minor changes in its construction, not mentioned in this manual and not worsening its consumer and operational properties, effective and secure use.



①



②



③



④



⑤



⑥



⑦

COMPLETENESS

1. Electric planer 1 pc.
2. Key for removing knives 1 pc.
3. Edge guide (kit) 1 pc.
4. Rabbet guide 1 pc.
5. Dust bag 1 pc.
6. Spare carbon brushes kit 1 pc.
7. Instruction manual 1 pc.
8. Warranty card 1 pc.

SPECIFICATIONS

Table 1

Model/Item	27801/EP-82
Power, W	720
Cutting width, mm	82
Cutting depth, mm	0...2
Frequency of rotation of the blade roll at idle, min ⁻¹	16000
Depth of rabbeting, mm	18
The number of blades in the blade roll, pcs	2
Type of blades	Non-sharpened
Dust removal system	Right / Left
Base plate type	Cast
Rabbet guides	Yes
Voltage, V / Frequence, Hz	230 / 50-60
Power cable length, m	3
Degree of protection against penetration of objects and liquids	IP20
Sound pressure level (LpA), dBA	86
Ambivalence of sound pressure level (LpA), dBA	1.5
Vibration level (ah), m/s ²	4.7
Ambivalence of vibration level (ah), m/s ²	1.5
Degree of protection against electric shock	II
Type of packaging	Colorbox
Net weight, kg	3.1
Gross weight, kg	3.75

SAFETY REQUIREMENTS



WARNING!

Before starting work read all safety information and instructions. Failure to obey the information and instructions can lead to electric shock, fire and/or severe injury.

Keep all safety instructions for subsequent use

The term «electric tool» refers to your network (with cable) or battery power (cordless) tool in all the instructions below.

Workplace safety

- Keep the workplace clean and provide good lighting. Bad lighting or mess at work can lead to an accident.
- Do not use power tools if there is danger of fire or explosion, for example, near flammable liquids, gas or dust. During the work electric tools create spark discharges, which can ignite dust or combustible vapors.
- While working with power tools do not keep close children or unauthorized persons. A distraction may cause a loss of control over the workflow.

Electrical safety

- The cable plug of an electric tool must match the power outlet. Never modify an electrical cable plug. Do not use connecting adapter plugs, if there is a ground wire in the power cable of an electric tool. The usage of an original cable plug and a corresponding power outlet reduces the risk of electric shock.
- While working with electric tool avoid physical contact with grounded objects such as pipelines, radiators, electric stoves and refrigerators. Electric shock risk increases if your body is grounded.
- Do not use electric tool in the rain or in humid environment. Water entering into the electric tool increases the risk of electric shock.
- Handle electrical cable with care. In no case do not use a cable for carrying electric tool or pulling his plug out of the receptacle. Do not expose electrical cable to high temperatures and lubricants; keep it away from sharp edges and moving parts of the tool. Damaged or entangled cable increases the risk of electric shock.
- While working with electric tool outdoors use an extension cable intended for outdoor use. Using the cable suitable for working outdoors reduces the risk of electric shock.
- If you need to work with power tools in humid environment use a power source equipped with a residual current device (RCD). Using an RCD reduces the risk of electric shock.



ATTENTION!

It is recommended to use a safety shutdown device (SSD) with a response current not exceeding 30 mA.

Personal safety

- While working with electric tools be careful, watch what you do and use common sense. Do not use electric tool if you are tired, as well as being under the influence of alcohol or drugs lowering the reaction and other remedies. The slightest negligence may cause serious injury while working with electric tools.
- While working use personal protective equipment. Always wear safety glasses. Timely using of protective equipment such as: dust mask, boots with non-slip sole, safety hat or noise protection headphones, significantly reduces the risk of injury.
- Do not allow unintended start. Before plugging in electric tool and/or connecting it to the battery lift or move it, be sure the switch is in the «off» position. Do not carry electric tool with the trigger switch pressed and do not plug the electric tool into a power outlet if the switch is set to «on». This may lead to an accident.
- Before turning on the electric tool remove from it all adjusting keys or spanners. An adjusting key or spanner left fixed on the rotating part of the electric tool can cause severe injury.
- Work in a steady posture. Always keep your balance and a steady posture. This will allow you not to lose control when working with electric tool in an unexpected situation.
- Dress properly. Do not wear loose clothes or jewelry while working. Make sure your hair, clothing or gloves are at a constant distance from the rotating parts of the tool. Loose clothes, jewelry or long hair can get into the rotating parts of the tool.
- If the electric tool is equipped with a dust collection and removal device, make sure this device is properly connected and used. The use of a dust removal device significantly reduces the risk of an accident due to a dusty working space.

Use of electric tools and technical care

- a) Do not overload the electric tool. Use your tool for its intended purpose. The electric tool works safe and secure only if the parameters specified in its technical specifications are respected.
- b) Do not use the electric tool if its switch cannot be set to the «on» or «off» position. The electric tool with a faulty switch is dangerous and must be repaired.
- c) Unplug the electric tool from the power outlet and/or remove battery before adjusting, replacement of accessories or when storing electric tool. Such precautions reduce the risk of an accidentally turning on of the electric tool.
- d) Store unused electric tools out of the reach of children and do not let persons who are not familiar with electric tool or these instructions work with electric tools. Electric tools are dangerous in the hands of inexperienced users.
- e) Check an electric tool regularly. Check alignment accuracy and ease of movement of moving parts, integrity of parts and any other elements of the electric tool affecting its work. Do not use a faulty electric tool until it is completely repaired. Most accidents are the result of insufficient maintenance of the electric tool.
- f) Watch out for sharpness and cleanness of cutting accessories. Sharp-edged accessories allow avoiding of jamming and make work less tiring.
- g) Use electric tool, accessories and nozzles in accordance with this manual and taking into account the working conditions and nature of future work. Misuse of the electric tool can create a hazardous situation.

Maintenance

Your electric tool must be repaired only by qualified specialists using original spare parts. This will ensure safety and reliability of your electric tool in further use.

Additional Security Rules when working with electric planers

- a) Before starting work make sure that there are no foreign objects in the workplace.
- b) Do not allow planing on nails, screws and other fasteners that may be in the wood. Before starting work check the blank for the presence of metal objects and remove them if found.
- c) Keep the power cord away from the rotating blade roll. If you lose control of your electric tool, the power cord may be cut or caught by a rotating tooling.
- d) When jamming the working roll or clogging the ejection channel of the dust removal system, you must immediately turn off the planer. Never clean the dust removing system and the roll with your hands, use a suitable wooden object.
- e) Always hold the planer firmly, with two hands on the appropriate handles. Loss of control on the planer can cause injury.
- f) Clamp the workpiece tightly. Do not hold the workpiece with your hands to avoid serious injury. Small, badly fixed workpieces can fly with great speed when touching the knives.
- g) Only after a complete stop of the machine it can be let out.
- h) Keep the engine in good condition. In case of failure, the appearance of suspicious odors characteristic of the burning insulation, strong noise, knocking, sparks turn off the machine immediately and contact the service center.
- i) Transport the machine in the original packaging. Roll up and secure the cord before packing.



ATTENTION!

Small chips and wood dust are prone to spontaneous combustion! Do not leave the dust bag with contents on the planer after work. Always clean the dust bag immediately after use.

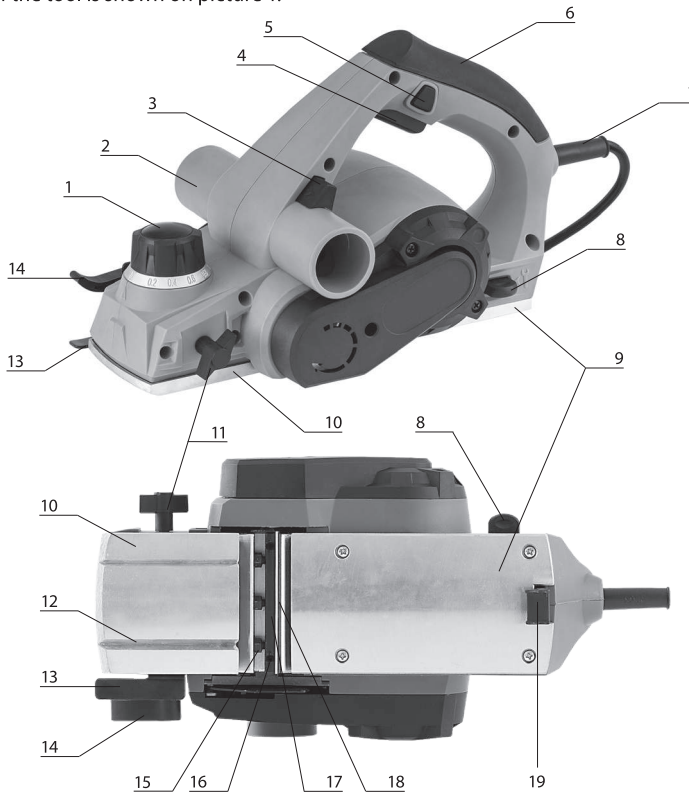
Residual risks

Despite compliance with the relevant safety instructions and the use of safety devices some residual risks cannot be completely eliminated. These include:

- risk of pinching fingers when changing accessories;
- injuries from touching the sharp edges of the tooling;
- damage to health due to vibration and noise appearing at work.

DEVICE OVERVIEW

General view of the tool is shown on picture 1.



Pic. 1

- | | | | |
|-------------------------------------------------------|-----------------------|----------------------------------------|------------------------------------------------|
| 1. Front handle / cutting depth adjustment handle. | 4. Switch key. | 11. Screw for mounting parallel guide. | 16. Screw to adjust the position of the blade. |
| 2. Dust removing system. | 5. Lock on button. | 12. Grooves guides. | 17. Blade cassette. |
| 3. Switch of changing of the dust removing direction. | 6. Main handle. | 13. Rabbet guide. | 18. Blade. |
| | 7. Power cable. | 14. Fastening screw of rabbet guide. | 19. Base supporter. |
| | 8. The key. | 15. Screw fastening blade. | |
| | 9. Back base plate. | | |
| | 10. Front base plate. | | |

Description

Electric planer is a plastic case where there is a collector AC motor. In the lower part of the case there are support base plates made of aluminum alloy. The front base plate can move vertically, and it provides the adjustment of the removal rate in a single pass (cutting depth). The blade roll of the planer is installed in the housing on rolling bearings and is driven by a belt drive. The planer is equipped with an adjustable dust removing system, which allows carrying out dust to the right or left side. The back fixed base plate is fitted with a thrust bearing protecting the blades and the surface from damage. The engine is controlled by a switch located in the main handle.

The machine is equipped with non-sharpened replaceable double-side blades fixed in a blade roll. A key, stored in a holder located in the back of the case, is used to remove and install blades.

OPERATION



ATTENTION!

Always disconnect the power cable from the electrical outlet before preparing for the operation, adjustment, maintenance of the power tool.



ATTENTION!

After transporting in winter conditions, before switching on, the machine must be kept at room temperature until the condensate is completely dry.

EN

Assembly

The plane is supplied assembled with installed and adjusted blades. There is no need to adjust the factory-installed blades. Position adjustment screws 16 (pic. 1) are fixed at the factory with paint.

If necessary, install the edge guide to the tool. To do this unscrew the screw fixing the guide 11 (pic. 1), install the guide into the groove of the housing and fix it with a screw, screwing it into place.

To maintain cleanliness in the workplace it is recommended to use a supplied dust bag. The nozzle of the bag with a little tightness is connected with a pipe on the right or left side. At the same time, it is necessary to switch the direction of dust removing to the corresponding direction using switch 3 (pic. 1).

Adjustment of the cutting depth in a single pass

To adjust the cutting depth in a single pass turn the front handle of the planer 1 (pic. 1) around its axis. Focus on the scale applied to the bottom of the handle. For coarser and faster pcutting use a cutting depth of 1..2 mm, for finishing use it up to 1 mm.

Power connection



ATTENTION!

Before power connection, ensure the integrity of the product, no external damage. Pay special attention to the reliability of the mounting of blades in the roll, the tightening of the screws fixing the blades 15 (pic. 1). Make sure the power switch is in the "off" position.



ATTENTION!

The electric tools should be connected only to the single phase AC which voltage corresponds to the voltage indicated on the table of characteristics placed on the tool. If the rating plate indicates voltage of 230V, then the power tool can also be switched on to a chain with voltage of 220 V.

When working outdoors use industrial extension cords intended for outdoor use. Do not use homemade extensions. When working outdoors connect power tools to the power circuit equipped with a differential automatic with a response current of not more than 30 mA, this will reduce the risk of electric shock.

When connecting, ensure that the insulation of the electrical cable and the power plug of the machine are intact. Make sure the machine's power switch is in the «off» position.

This power tool can be connected to power outlets that do not have the protective ground, since it has double insulation (protection class II).

Turning on

The planer is equipped with a system of protection against accidental starting. To turn the machine on it is necessary to press the lock button of the switch 5, then press the switch key 4 (pic. 1). To turn off – release the 4 key.

While working

- turn the planer on only if there is no contact between the blade roll and the workpiece. Allow the engine to reach its maximum speed, only after that start processing;
- select the feed according to the hardness of the wood to be processed and the width of the cutting. The feed must be such that the drop in the frequency of rotation of the blade roll is no more than 20% (by ear) relative to the idle speed;
- monitor the uniformity of the exit of the processing products from the dust removing port, if the nozzle becomes clogged, immediately clean it with a suitable sized wooden object. It is forbidden to clean the dust removing channel with your hands;
- when using a dust bag clean it in often. Consider that the bag fills up very quickly with a significant amount of dust. Overflow of the bag leads to jamming of the blade roll and overheating of the engine;
- do not overload the machine, monitor the engine body heat, take breaks in time;
- avoid mechanical damage, shocks, falls of the machine on hard surfaces, etc.;
- protect the tool from exposure of intense heat sources and chemically active substances, as well as from the ingress of liquids and foreign solid objects inside the housing;
- ensure efficient removal of processing products from the cutting zone;
- do not block or obstruct the ventilation openings in the machine housing;
- turn the machine off using the switch before disconnecting from the power supply.

Chamfering

The front base plate of the planer has guide grooves 12 (pic. 1) of different depths, designed to facilitate movement along the sharp edge of the workpiece.

Select the groove that matches the desired chamfer width, set the depth of cutting using the handle 1 (pic. 1) to zero, make processing for smooth chamfering.

Rabbeting

The planer can perform operations of rabbeting (steps on the edge of the workpiece). To adjust the instrument, install and adjust the edge guide so that the distance from the right (open) end of the blade roll to the stop surface of the guide corresponds to the required width of the step. Set the step depth using stop 13 (pic. 1) in the range up to 18 mm. Having established a rational amount of removal in a single pass using the handle 1 (pic. 1), do the cutting in several passes along the edge of the workpiece until the limiter 13 touches the surface of the workpiece.

At the end of the work:

- disconnect the tool from the power supply making sure the switch is in the «off» position;
- clean the machine and its accessories from dust.



ATTENTION!

Immediately after work be sure to remove and clean the dust bag in order to avoid spontaneous combustion of processing products.

Recommendations

Use blanks of dry clean wood, free of nails, screws and other metal objects. Old boards tend to have significant abrasive properties which lead to the decrease in blade resource.

Before you start processing the workpiece, you must fix it, especially if it is lightweight. Never hold the workpiece with your hand – unintended touch of a rotating blade roll instantly causes serious injury.

Move the planer forward evenly, providing feed at which the engine speed will fall. Thus, the highest purity of processing is achieved and machine overload is prevented.

Do not overheat the exterior of the machine during prolonged use. In case of excessive heating stop working, let the machine work without load for 1...2 minutes to cool the engine, turn the engine off and take a break till the machine body is cool. Do not allow the machine working when there is an unusual noise in the engine or mechanism. If noise appears turn the machine off and contact to an authorized service.

Do not operate the machine when visible flashes appear in the engine ventilation openings, stop working and contact the service center for diagnostics and, possibly, replacement of carbon brushes.

NOISE AND VIBRATION

Noise and vibration characteristics are given in the table №1.

If the Electrical Planer is be used for other work with the use of working tools, not provided by the manufacturer, or maintenance will not meet the requirements, the vibration level may be different.



ATTENTION!
Always use personal hearing protection.

MAINTENANCE



ATTENTION!
Before starting maintenance and adjustment of the tool unplug the power cord from the power outlet.

Working tooling maintenance

- If you have noticed a decrease in the speed of equipment or extraneous noise when working, it is necessary to hand over the planer to the service center for its repair.
- The use of the worn working tooling (blades) reduces the effectiveness of the work and may result in motor failure, it is therefore necessary to periodically replace worn out tooling as soon as this becomes necessary.

Changing of blades

With a decrease in the purity of processing, significant heating of the blade roll, signs of engine overload or visible blunting of cutting edges, it is recommended to replace blades.

The construction of the planer uses two-sided non-sharpened replaceable knives. At the first replacement it is advisable to turn the blade.

To replace the blades it is necessary:

- Using key 8 (pic.1) loosen the screws 15 in the grooves of the blade roll. The screws in the grooves of the blade roll are installed in a thrust way, for their loosening it is necessary to screw them into the blade cassette 17 (pic. 1), rotating clockwise.
- Without removing the cassette 17 from the groove of the roll, move the blade along the cassette guide in the direction of the open end of the roll, remove the blade.
- Turning or replacing the blade, install it in the cassette in the reverse order. When installing the blade, do not exert considerable effort, keep in mind that the blade is quite thin and fragile.
- Align the blade on the end of the roll, tighten the fixing screws 15 evenly (pic. 1) using a wrench 8.
- Repeat the above steps with the second blade, turning the roll half a turn.
- After replacing or rearranging the blades, perform a test turning on of the planer, taking precautions. If there is more tool vibration, check that the blades are installed correctly.



ATTENTION!
When using standard replaceable blades there is no need to regulate the screws to adjust the position of the blade 16 (pic. 1). If the cutting edge of the mounted blade does not lie in the planer of the back base plate, use screws 16 to adjust the position of the blade, pre-loosening the screws 15.

Electric motor care

You must be especially careful with the electric motor, avoid getting liquids and foreign objects inside the case. Keep your ventilation holes clean, blow them regularly with compressed air or clean them with a brush. When noticeable sparks appear, contact an authorized service center for diagnostics and possibly for the replacement of carbon brushes.



ATTENTION!

Electric planers do not need additional lubrication. The construction uses sealed bearings with grease filling, designed for the entire lifetime. Attempt of additional lubrication from the user leads to the accumulation of dust and chips on moving parts, which leads to negative consequences.

In case of any damage to the power cord turn the planer off immediately, carefully, without touching the places of damage, disconnect it from the power supply.



ATTENTION!

Electrical planers use power cord with mounting type Y: for security it must be replaced by authorized repair shop personnel.

FAULTS AND TROUBLESHOOTING

Fault	Cause	Troubleshooting
The tool does not turn on.	Broken power cord or mounting wire, power cord malfunction.	Call the service center.
	Faulty switch.	Call the service center.
	Brush wear.	Call the service center.
Circular fire on the collector.	Fault in the armature winding.	Call the service center.
	Wearout /«hang» of brushes.	Call the service center.
The engine of the planer works, but the roll does not rotate.	Worn / broken drive belt.	Call the service center.
When working smoke or smell of burning insulation is generated from the vent.	Interturn closure of armature or stator windings.	Call the service center.
	Malfunction of the electrical part of the instrument.	Call the service center.
Increased machine vibration.	Damage or deformation of the base plate.	Call the service center to replace the base plate.
	Faulty or improperly installed tooling.	Replace or reinstall a tooling.

RECYCLING

A tool, developed a designated service life, must be recycled according the rules established by environmental and other laws of the country, where the tool is operated.

STORAGE

During the assigned service life, store the machine in a dry heated room. Recommended storage temperature is from 0 °C to +40 °C. Store the tool in the original packaging. Before placing the sander in storage remove the working tool.

TRANSPORTATION

During the transportation direct exposure of precipitation, direct sunlight, heat and shock is not allowed. Transportation should be carried out only in the original packaging at temperature from -20 °C to +40 °C.

LIFE TIME

Average product life time is 5 years if the customer follows the rules of operation.

WARRANTY OBLIGATIONS

EN

The product is covered by the manufacturer's warranty.

The warranty period is specified in the warranty card and calculated from the date of sale. Terms of warranty service are given in the warranty card.

Manufacturer: Suzhou Liangming Power Tools Co., Ltd. No. 5599 Wuzhong Avenue, Wuzhong district, Suzhou, Jiangsu Province.

Made in China.

The Electric Planer conforms to the specifications if the following directives and harmonized standards:

EC Council Directive 2006/42/EC

2014/30/EU

2011/65/EU and 2105/863

EN 62841-1:2015

EN 62841-2-14:2015

EN 55014-1:2017

EN 55014-2:2015

EN 61000-3-2:2014

EN 61000-3-3:2013







СОДЕРЖАНИЕ

ОПИСАНИЕ СИМВОЛОВ	14
НАЗНАЧЕНИЕ	14
КОМПЛЕКТАЦИЯ	14
ТЕХНИЧЕСКИЕ ХАРАКТЕРИСТИКИ.....	15
ПРАВИЛА БЕЗОПАСНОСТИ.....	15
УСТРОЙСТВО	18
ЭКСПЛУАТАЦИЯ	19
ШУМ И ВИБРАЦИЯ.....	21
ОБСЛУЖИВАНИЕ	22
ВОЗМОЖНЫЕ НЕИСПРАВНОСТИ И СПОСОБЫ УСТРАНЕНИЯ.....	23
КРИТЕРИИ ПРЕДЕЛЬНОГО СОСТОЯНИЯ И ПЕРЕЧЕНЬ КРИТИЧЕСКИХ ОТКАЗОВ.....	23
УТИЛИЗАЦИЯ.....	24
ХРАНЕНИЕ	24
ТРАНСПОРТИРОВКА	24
СРОК СЛУЖБЫ	24
ГАРАНТИЙНЫЕ ОБЯЗАТЕЛЬСТВА.....	24
ИМПОРТЕР	24

Уважаемый покупатель!

Данное изделие является технически сложным. Перед первым запуском внимательно изучите настоящее руководство по эксплуатации и строго соблюдайте все меры предосторожности! Их несоблюдение может привести к опасным для жизни травмам! Конструкция устройства постоянно совершенствуется, поэтому возможны некоторые изменения, не отраженные в настоящем руководстве и не ухудшающие эксплуатационные качества изделия.

ОПИСАНИЕ СИМВОЛОВ

	ВНИМАНИЕ! Означает потенциально опасную ситуацию, которая может привести к получению травмы или порче оборудования.
	Риск поражения электрическим током.
	Огнеопасность!
	ВНИМАНИЕ! Внимательно прочтите руководство по эксплуатации для снижения риска получения травмы.

НАЗНАЧЕНИЕ

Рубанок электрический ручной (далее по тексту «рубанок», «машина», «инструмент») предназначен для обработки плоских поверхностей заготовок из древесины и ее производных, снятия фасок, выборки четверти (ступени).

Машина предназначена для эксплуатации при температуре окружающей среды от 0 °С до 40 °С, относительной влажности воздуха не более 80%, при отсутствии прямого воздействия атмосферных осадков и чрезмерной запыленности воздуха.

Машина относится к бытовому классу инструмента и должна эксплуатироваться в повторно-кратковременном режиме с наработкой до 20 часов в месяц. Рекомендуется эксплуатация с нагрузкой, не превышающей номинальной, в течение 10-15 минут и последующим перерывом 20-30 минут. Такой режим эксплуатации позволяет эффективно выполнять все задачи, возникающие в быту, и предохраняет инструмент от преждевременного выхода из строя.

Настоящее руководство содержит сведения и требования, необходимые и достаточные для надежной, эффективной и безопасной эксплуатации инструмента.

В связи с постоянной деятельностью по совершенствованию инструмента изготовитель оставляет за собой право вносить в его конструкцию незначительные изменения, не отраженные в настоящем руководстве и не ухудшающие его потребительские и эксплуатационные свойства, безопасность и эффективность работы.

КОМПЛЕКТАЦИЯ



1. Рубанок электрический 1 шт.
2. Ключ для снятия ножей 1 шт.
3. Параллельная направляющая (комплект) 1 шт.
4. Ограничитель глубины четверти 1 шт.
5. Пылесборный мешок 1 шт.
6. Комплект запасных угольных щеток 1 шт.
7. Инструкция по эксплуатации 1 шт.
8. Гарантийный талон 1 шт.

ТЕХНИЧЕСКИЕ ХАРАКТЕРИСТИКИ

Таблица 1

Артикул/Модель	27801/EP-82
Потребляемая мощность, Вт	720
Ширина обработки, мм	82
Величина съема за 1 проход (глубина строгания), мм	0...2
Частота вращения барабана на холостом ходу, мин ⁻¹	16000
Максимальная глубина выборки четверти, мм	18
Количество ножей в барабане	2
Тип ножей	Неперетачиваемые
Направление выброса стружки	Правое/Левое
Тип опорной подошвы	Литая
Направляющие для снятия фаски	Есть
Напряжение питания, В~ Гц	230~ 50/60
Длина кабеля питания, м	3
Степень защиты от проникновения предметов и жидкости	IP20
Уровень звукового давления (LpA), дБА	86
Неопределенность уровня звукового давления (LpA), дБА	1,5
Уровень вибраций (ah), м/с ²	4,7
Неопределенность уровня вибраций (ah), м/с ²	1,5
Степень защиты от поражения электрическим током	II
Тип упаковки	Коробка
Масса изделия нетто, кг	3,1
Масса изделия брутто, кг	3,75

RU

ПРАВИЛА БЕЗОПАСНОСТИ



ВНИМАНИЕ!

Перед началом работы внимательно прочтите все правила безопасности и инструкции. Несоблюдение всех перечисленных ниже правил безопасности и инструкций может привести к поражению электрическим током, возникновению пожара и/или получению тяжелой травмы.

Сохраните все правила безопасности и инструкции для последующего использования

Термин «Электроинструмент» во всех приведенных ниже указаниях относится к вашему сетевому (с кабелем) или аккумуляторному (беспроводному) электроинструменту.

Безопасность рабочего места

- а) Содержите рабочее место в чистоте и обеспечьте хорошее освещение. Плохое освещение или беспорядок на рабочем месте может привести к несчастному случаю.
- б) Не используйте электроинструменты, если есть опасность возгорания или взрыва, например, вблизи легковоспламеняющихся жидкостей, газов или пыли. В процессе работы электроинструменты создают искровые разряды, которые могут воспламенить пыль или горючие пары.

- в) Во время работы с электроинструментом не подпускайте близко детей или посторонних лиц. Отвлечение внимания может вызвать у вас потерю контроля над рабочим процессом.

Электробезопасность

- а) Вилка кабеля электроинструмента должна соответствовать штепсельной розетке. Ни в коем случае не изменяйте вилку электрического кабеля. Не используйте соединительные штепсели-переходники, если в силовом кабеле электроинструмента есть провод заземления. Использование оригинальной вилки кабеля и соответствующей ей штепсельной розетки уменьшает риск поражения электрическим током.
- б) Во время работы с электроинструментом избегайте физического контакта с заземленными объектами, такими как трубопроводы, радиаторы отопления, электроплиты и холодильники. Риск поражения электрическим током увеличивается, если ваше тело заземлено.
- в) Не используйте электроинструмент под дождем или во влажной среде. Попадание воды в электроинструмент увеличивает риск поражения электрическим током.
- г) Бережно обращайтесь с электрическим кабелем. Ни в коем случае не используйте кабель для переноски электроинструмента или для вытягивания его вилки из штепсельной розетки. Не подвергайте электрический кабель воздействию высоких температур и смазочных веществ; держите его в стороне от острых кромок и движущихся частей инструмента. Поврежденный или запутанный кабель увеличивает риск поражения электрическим током.
- д) При работе с электроинструментом на открытом воздухе используйте удлинительный кабель, предназначенный для наружных работ. Использование кабеля, пригодного для работы на открытом воздухе, снижает риск поражения электрическим током.
- е) При необходимости работы с электроинструментом во влажной среде используйте источник питания, оборудованный устройством защитного отключения (УЗО). Использование УЗО снижает риск поражения электрическим током.



ВНИМАНИЕ!

Рекомендуется использование устройства защитного отключения (УЗО) с током срабатывания не более 30 мА.

Личная безопасность

- а) При работе с электроинструментами будьте внимательны, следите за тем, что вы делаете, и руководствуйтесь здравым смыслом. Не используйте электроинструмент, если вы устали, а также находясь под действием алкоголя или понижающих реакцию лекарственных препаратов и других средств. Малейшая неосторожность при работе с электроинструментами может привести к серьезной травме.
- б) При работе используйте средства индивидуальной защиты. Всегда надевайте защитные очки. Своевременное использование защитного снаряжения, а именно: пылезащитной маски, ботинок на нескользящей подошве, защитного шлема или противошумовых наушников – значительно снизит риск получения травмы.
- в) Не допускайте непреднамеренного запуска. Перед тем как подключить электроинструмент к сети и/или аккумулятора, поднять или перенести его, убедитесь, что выключатель находится в положении «Выключено». Не переносите электроинструмент с нажатым курковым выключателем и не подключайте к сетевой розетке электроинструмент, выключатель которого установлен в положение «Включено», это может привести к несчастному случаю.
- г) Перед включением электроинструмента снимите с него все регулировочные или гаечные ключи. Регулировочный или гаечный ключ, оставленный закрепленным на вращающейся части электроинструмента, может стать причиной тяжелой травмы.
- д) Работайте в устойчивой позе. Всегда сохраняйте равновесие и устойчивую позу. Это позволит вам не потерять контроль при работе с электроинструментом в непредвиденной ситуации.
- е) Одевайтесь соответствующим образом. Во время работы не надевайте свободную одежду или украшения. Следите за тем, чтобы ваши волосы, одежда или перчатки находились в постоянном отдалении от движущихся частей инструмента. Свободная одежда, украшения или длинные волосы могут попасть в движущиеся части инструмента.

ж) Если электроинструмент снабжен устройством сбора и удаления пыли, убедитесь, что данное устройство подключено и используется надлежащим образом. Использование устройства пылеудаления значительно снижает риск возникновения несчастного случая, связанного с запыленностью рабочего пространства.

Использование электроинструментов и технический уход

- а) Не перегружайте электроинструмент. Используйте ваш инструмент по назначению. Электроинструмент работает надежно и безопасно только при соблюдении параметров, указанных в его технических характеристиках.
- б) Не используйте электроинструмент, если его выключатель не устанавливается в положение включения или выключения. Электроинструмент с неисправным выключателем представляет опасность и подлежит ремонту.
- в) Отключайте электроинструмент от сетевой розетки и/или извлекайте аккумулятор перед регулированием, заменой принадлежностей или при хранении электроинструмента. Такие меры предосторожности снижают риск случайного включения электроинструмента.
- г) Храните неиспользуемые электроинструменты в недоступном для детей месте и не позволяйте лицам, не знакомым с электроинструментом или данными инструкциями, работать с электроинструментом. Электроинструменты представляют опасность в руках неопытных пользователей.
- д) Регулярно проверяйте исправность электроинструмента. Контролируйте точность совмещения и легкость перемещения подвижных частей, целостность деталей и любых других элементов электроинструмента, воздействующих на его работу. Не используйте неисправный электроинструмент, пока он не будет полностью отремонтирован. Большинство несчастных случаев являются следствием недостаточного технического ухода за электроинструментом.
- е) Следите за остротой заточки и чистотой режущих принадлежностей. Принадлежности с острыми кромками позволяют избежать заклинивания и делают работу менее утомительной.
- ж) Используйте электроинструмент, аксессуары и насадки в соответствии с данным руководством и с учетом рабочих условий и характера будущей работы. Использование электроинструмента не по назначению может создать опасную ситуацию.

Техническое обслуживание

Ремонт вашего электроинструмента должен производиться только квалифицированными специалистами с использованием оригинальных запасных частей. Это обеспечит безопасность и надежность электроинструмента в дальнейшей эксплуатации.

Дополнительные меры безопасности при использовании электрорубанков

- а) Перед началом работы убедитесь в отсутствии на рабочем месте посторонних предметов.
- б) Не допускайте строгания по гвоздям, шурупам и другим крепежным элементам, которые могут находиться в древесине. Перед началом работы проверьте заготовку на наличие металлических предметов, при обнаружении удалите их.
- в) Держите шнур питания в стороне от вращающегося ножевого барабана. Если вы потеряете контроль над электрической машиной, то шнур питания может быть перерезан или захвачен вращающейся оснасткой.
- г) При заклинивании рабочего барабана или засорении канала выброса стружки необходимо немедленно выключить рубанок. Никогда не очищайте канал выброса стружки и барабан руками, используйте подходящий деревянный предмет.
- д) Всегда держите рубанок крепко, двумя руками за соответствующие рукоятки. Потеря контроля над рубанком может привести к травме.
- е) Надежно закрепляйте заготовку. Не держите заготовку руками во избежание серьезной травмы. Небольшие, плохо закрепленные заготовки могут с большой скоростью вылететь при касании ножей.
- ж) Только после полной остановки машины ее можно выпускать из рук.
- з) Следите за исправным состоянием двигателя. В случае отказа, появления подозрительных запахов, характерных для горелой изоляции, сильного шума, стука, искр следует немедленно выключить машину и обратиться в сервисный центр.
- и) Перевозите машину в фирменной упаковке. Перед упаковкой сверните и зафиксируйте шнур.

**ВНИМАНИЕ!**

Мелкая стружка и древесная пыль склонны к самовозгоранию! Не оставляйте пылесборный мешок с содержимым на рубанке после работы. Всегда очищайте пылесборный мешок сразу после работы.

Остаточные риски

Несмотря на соблюдение соответствующих инструкций по технике безопасности и использование предохранительных устройств, некоторые остаточные риски невозможно полностью исключить. К ним относятся:

- риск защемления пальцев при смене оснастки;
- травмы в результате касания острых кромок оснастки;
- ущерб здоровью в результате воздействия вибрации и шума, возникающих при работе.

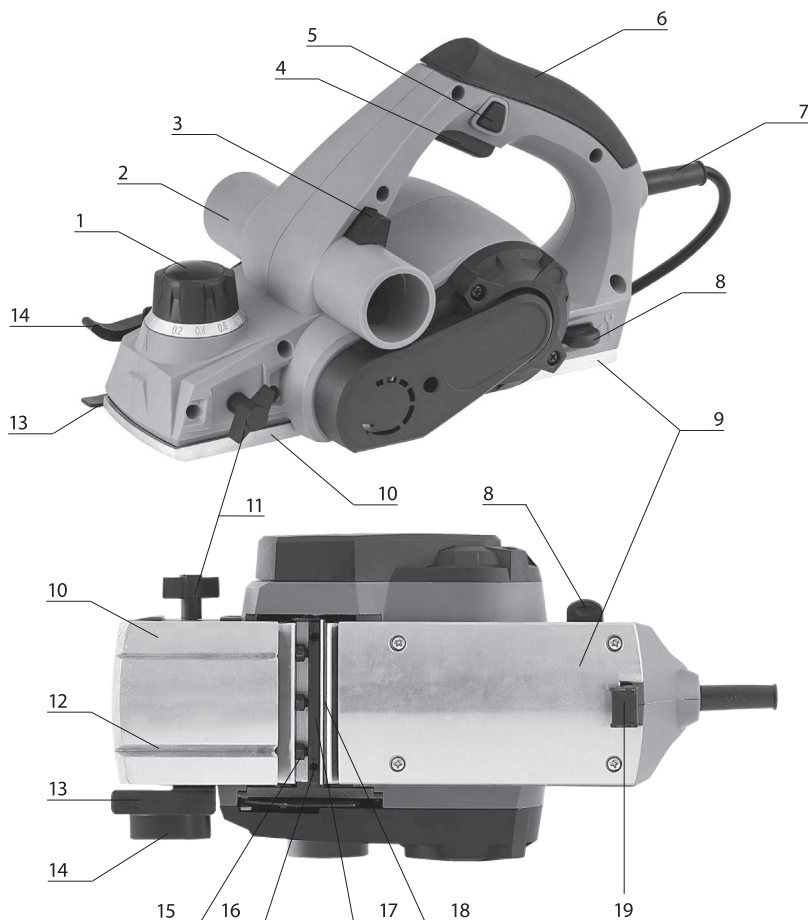
УСТРОЙСТВО

Рис. 1

- | | | | |
|----------------------------------------------------------------|-----------------------------------------------|---------------------------------------------------|-------------------|
| 1. Передняя рукоятка / рукоятка регулировки глубины строгания. | 5. Кнопка блокировки выключателя. | 12. Канавки направляющие. | 17. Кассета ножа. |
| 2. Патрубок выброса стружки. | 6. Основная рукоятка. | 13. Ограничитель глубины четверти. | 18. Нож. |
| 3. Переключатель направления выброса стружки. | 7. Кабель питания. | 14. Винт крепления ограничителя глубины четверти. | 19. Подпятник. |
| 4. Клавиша выключателя. | 8. Ключ для снятия и установки ножей. | 15. Винт крепления ножа. | |
| | 9. Подошва задняя. | 16. Винт настройки положения ножа. | |
| | 10. Подошва передняя. | | |
| | 11. Винт крепления параллельной направляющей. | | |

Описание

Рубанок электрический ручной представляет собой пластиковый корпус, в котором находится коллекторный двигатель переменного тока. В нижней части корпуса расположены опорные подошвы, выполненные из алюминиевого сплава. Передняя подошва имеет возможность перемещения по вертикали, чем обеспечивается регулировка величины съема за один проход (глубины строгания). Ножевой барабан рубанка установлен в корпусе на подшипниках качения и приводится во вращение с помощью ременной передачи. Рубанок оборудован регулируемой системой выброса стружки, позволяющей осуществлять выброс в правую или левую стороны. Задняя неподвижная подошва снабжена подпятником, предохраняющим ножи и поверхность от повреждения. Управление двигателем осуществляется с помощью выключателя, расположенного в основной рукоятке.

Машина оборудована непереключаемыми сменными двухсторонними ножами, закрепленными в ножевом барабане. Для снятия и установки ножей используется ключ, который хранится в держателе, расположенном в задней части корпуса.

ЭКСПЛУАТАЦИЯ



ВНИМАНИЕ!

Перед работами по подготовке к эксплуатации, настройке, техническому обслуживанию электроинструмента всегда отключайте питающий кабель от электросети.



ВНИМАНИЕ!

После транспортировки в зимних условиях перед включением необходимо выдержать машину при комнатной температуре до полного высыхания конденсата.

Сборка

Рубанок поставляется в собранном виде с установленными и отрегулированными ножами. Без необходимости не следует нарушать выполненную на заводе регулировку положения ножей. Винты настройки положения 16 (рис. 1) зафиксированы на заводе краской.

При необходимости установите на изделие параллельную направляющую. Для этого выкрутите винт крепления направляющей 11 (рис. 1), установите направляющую в паз корпуса и зафиксируйте ее винтом, вкрутив его на прежнее место.

Для поддержания чистоты на рабочем месте рекомендуется использовать пылесборный мешок, поставляемый в комплекте. Патрубок мешка с небольшим натягом соединяется с патрубком выброса стружки с правой или левой стороны. При этом необходимо переключить направление выброса стружки в соответствующую сторону с помощью переключателя 3 (рис. 1).

Регулировка величины съема за один проход (глубины строгания)

Для регулировки величины съема за один проход (глубины строгания) поверните переднюю рукоятку рубанка 1 (рис. 1) вокруг ее оси. Ориентируйтесь на шкалу, нанесенную на нижнюю часть рукоятки. Для более грубого и быстрого строгания используйте глубину строгания 1...2 мм, для финишной обработки – до 1 мм.

Подключение к сети



ВНИМАНИЕ!

Перед подключением к сети убедитесь в целостности изделия, отсутствии внешних повреждений. Особое внимание обратите на надежность крепления ножей в барабане, затяжку винтов крепления ножей 15 (рис. 1).



ВНИМАНИЕ!

Электроинструмент следует подключать только к однофазной сети переменного тока, напряжения которой соответствует напряжению, указанному на табличке характеристик, размещенной на корпусе инструмента. Если на табличке характеристик указано напряжение 230 В, то электроинструмент также можно включать в сеть напряжением 220 В.

Убедитесь, что выключатель питания находится в положении «Выключено».

При работе на улице используйте удлинители промышленного изготовления, предназначенные для использования вне помещений. Не используйте самодельные удлинители. При работе вне помещений подключайте электроинструмент к цепи питания, снабженной дифференциальным автоматом с током срабатывания не более 30 мА, это снизит вероятность удара электрическим током.

При подключении убедитесь в целостности изоляции электрического кабеля и сетевой вилки машины. Убедитесь, что выключатель питания машины находится в положении «Отключено».

Данный электроинструмент можно подключать к розеткам, не имеющим защитного заземления, поскольку он имеет двойную изоляцию (класс защиты II).

Включение

Рубанок оборудован системой защиты от случайного пуска. Для включения машины необходимо нажать кнопку блокировки выключателя 5, после чего нажать клавишу выключателя 4 (рис. 1). Для выключения отпустите клавишу 4.

Во время работы

- включайте рубанок только при условии отсутствия контакта ножевого барабана и заготовки. Дайте двигателю развить максимальную частоту вращения, только после этого начинайте обработку;
- выбирайте подачу в соответствии с твердостью обрабатываемой древесины и шириной обработки. Подача должна быть такой, чтобы падение частоты вращения ножевого барабана было не более 20% (на слух) по отношению к холостому ходу;
- следите за равномерностью выхода продуктов обработки из патрубка выброса стружки, при засорении патрубка незамедлительно очищайте его при помощи деревянного предмета подходящего размера. Запрещается очищать канал выброса стружки руками;
- при использовании пылесборного мешка своевременно очищайте его. Учитывайте, что мешок наполняется очень быстро при значительной величине съема. Переполнение мешка приводит к заклиниванию ножевого барабана и перегреву двигателя;
- не перегружайте машину, следите за нагревом корпуса двигателя, своевременно делайте перерывы в работе;
- не допускайте механических повреждений, ударов, падения машины на твердые поверхности и т.п.;
- оберегайте машину от воздействия интенсивных источников тепла или химически активных веществ, а также от попадания жидкостей и посторонних твердых предметов внутрь машины;
- обеспечьте эффективный отвод продуктов обработки из зоны резания;

- не перекрывайте и не загораживайте вентиляционные отверстия в корпусе машины;
- выключайте машину с помощью выключателя перед отключением от сети электропитания.

Снятие фасок

Передняя подошва рубанка имеет направляющие канавки 12 (рис. 1) разной глубины, предназначенные для облегчения движения по острой кромке заготовки.

Выберите канавку, соответствующую желаемой ширине фаски, установите глубину строгания с помощью рукоятки 1 (рис. 1) на нулевое значение, произведите обработку для получения ровной фаски.

Выборка четверти

Рубанок имеет конструктивную возможность выполнения операции по выборке четверти (ступеньки на краю заготовки). Для настройки инструмента установите и отрегулируйте параллельную направляющую таким образом, чтобы расстояние от правого (открытого) торца ножевого барабана до упорной поверхности направляющей соответствовало необходимой ширине ступеньки.

Глубину ступеньки установите с помощью ограничителя 13 (рис. 1) в диапазоне до 18 мм. Установив рациональную величину съема за один проход с помощью рукоятки 1 (рис. 1), выполните строгание в несколько проходов вдоль края заготовки до момента касания ограничителя 13 поверхности заготовки.

По окончании работы

- отключите машину от электросети, убедившись, что выключатель находится в положении «Выключено»;
- очистите машину и ее дополнительные принадлежности от пыли.



ВНИМАНИЕ!

Сразу по окончании работы обязательно снимите и очистите пылесборный мешок во избежание самовозгорания продуктов обработки.

Рекомендации

Используйте заготовки из сухой чистой древесины, свободные от гвоздей, шурупов и других металлических предметов. Старые доски, как правило, обладают значительными абразивными свойствами, что приводит к снижению ресурса ножей.

Перед тем как начать обрабатывать заготовку, необходимо надежно закрепить ее, особенно если она имеет малый вес. Никогда не держите заготовку рукой: непреднамеренное касание вращающегося ножевого барабана мгновенно приводит к серьезной травме.

Перемещайте рубанок вперед равномерно, обеспечивая подачу, при которой частота вращения двигателя будет падать незначительно. Таким образом достигается наибольшая чистота обработки и предупреждается перегрузка машины.

Не допускайте перегрева наружных частей машины при длительной работе. При чрезмерном нагреве прекратите работу, дайте машине поработать без нагрузки в течение 1...2 минут для охлаждения двигателя, выключите двигатель и сделайте перерыв до остывания корпуса.

Не допускайте работу машины при появлении посторонних или нехарактерных шумов в двигателе или механизме. При появлении шумов выключите машину и обратитесь в авторизованный сервис.

Не допускайте работу машины при появлении видимых вспышек в вентиляционных отверстиях двигателя, прекратите работу и обратитесь в сервисный центр для диагностики и, возможно, замены угольных щеток.

ШУМ И ВИБРАЦИЯ

Шумовые и вибрационные характеристики приведены в таблице 1.

Если машина будет использована для выполнения других работ с применением оснастки, не предусмотренной изготовителем, или техническое обслуживание не будет отвечать предписаниям, то уровень вибрации может быть иным.

**ВНИМАНИЕ!**

Всегда применяйте средства индивидуальной защиты органов слуха.

ОБСЛУЖИВАНИЕ

**ВНИМАНИЕ!**

Перед началом работ по обслуживанию машины отсоедините вилку шнура питания от штепсельной розетки.

Обслуживание оснастки

- Если вы заметили снижение частоты вращения оснастки или посторонний шум при работе, то необходимо сдать устройство в центр технического обслуживания для его диагностики и ремонта.
- Использование изношенного сменного инструмента (ножей) снижает эффективность выполняемой работы и может привести к выходу из строя двигателя, поэтому необходимо периодически заменять износившуюся оснастку, как только в этом появляется необходимость.

Замена ножей

При снижении чистоты обработки, значительном нагреве ножевого барабана, признаках перегрузки двигателя или видимом притуплении режущих кромок рекомендуется провести замену ножей.

В конструкции рубанка используются двухсторонние неперетачиваемые сменные ножи. При первой замене целесообразно перевернуть нож.

Для замены ножей необходимо:

- С помощью ключа 8 (рис. 1) ослабить затяжку винтов 15 в пазах ножевого барабана. Винты в пазах ножевого барабана установлены враспор, для их ослабления необходимо ввинтить их в кассету ножа 17 (рис. 1), вращая по часовой стрелке.
- Не вынимая кассеты 17 из паза барабана, сдвинуть лезвие ножа по направляющей кассеты в сторону открытого торца барабана, извлечь нож.
- Перевернув или заменив нож, установить его в кассету в обратном порядке. При установке ножа не прикладывайте значительных усилий, учитывайте, что нож достаточно тонкий и хрупкий.
- Выравнивать нож по торцу барабана, равномерно затянуть фиксирующие винты 15 (рис. 1) с помощью ключа 8.
- Повторить указанные выше действия со вторым ножом, повернув барабан рукой на половину оборота.

После замены или перестановки ножей проведите тестовое включение рубанка, соблюдая меры предосторожности. При наличии вибрации инструмента больше обычного проверьте правильность установки ножей.

**ВНИМАНИЕ!**

Винты настройки положения ножа 16 (рис. 1) при использовании стандартных сменных ножей регулировать, как правило, нет необходимости. Если режущая кромка установленного лезвия не лежит в плоскости задней подошвы, используйте винты 16 для корректировки положения ножа, предварительно ослабив винты 15.

Уход за электродвигателем

Необходимо особенно бережно относиться к электродвигателю, не допускать попадания жидкостей и посторонних предметов внутрь корпуса. Следите за чистотой вентиляционных отверстий, регулярно продувайте их сжатым воздухом или очищайте щеткой. При появлении заметных искр в вентиляционных отверстиях корпуса двигателя обратитесь в авторизованный сервисный центр для диагностики и, возможно, замены угольных щеток.



ВНИМАНИЕ!

Электрические рубанки не нуждаются в дополнительной смазке. В конструкции используются закрытые подшипники с наполнением смазкой, рассчитанной на весь срок эксплуатации. Попытка дополнительной смазки со стороны пользователя приводит к налипанию пыли и стружки на движущиеся узлы, что приводит к негативным последствиям.

В случае любого повреждения шнура питания немедленно выключите машину, аккуратно, не касаясь мест повреждения, отключите ее от электросети.



ВНИМАНИЕ!

В машинах используется шнур питания с креплением типа Y: в целях безопасности его замену должен осуществлять персонал уполномоченных ремонтных мастерских.

ВОЗМОЖНЫЕ НЕИСПРАВНОСТИ И СПОСОБЫ УСТРАНЕНИЯ

Неисправность	Причина	Способ устранения
Инструмент не включается.	Обрыв шнура питания или монтажных проводов, неисправность вилки шнура питания.	Обратиться в сервисный центр.
	Неисправен выключатель.	Обратиться в сервисный центр.
	Износ щеток.	Обратиться в сервисный центр.
Образование кругового огня на коллекторе.	Неисправность в обмотке якоря.	Обратиться в сервисный центр.
	Износ/«зависание» щеток.	Обратиться в сервисный центр.
Двигатель рубанка работает, но барабан не вращается.	Износ/обрыв приводного ремня.	Обратиться в сервисный центр.
При работе из вентиляционных отверстий появляется дым или запах горелой изоляции.	Межвитковое замыкание обмоток якоря или статора.	Обратиться в сервисный центр.
	Неисправность электрической части инструмента.	Обратиться в сервисный центр.
Повышенная вибрация машины.	Износ подшипников.	Обратиться в сервисный центр.
	Повреждены или неправильно установлены ножи.	Осмотреть и переустановить ножи.

Техническое обслуживание проводить в специализированных сервисных центрах. Список сервисных центров представлен на сайте <http://ipsremont.ru/kontakty/>.

КРИТЕРИИ ПРЕДЕЛЬНОГО СОСТОЯНИЯ И ПЕРЕЧЕНЬ КРИТИЧЕСКИХ ОТКАЗОВ

Перечень критических отказов

- не использовать при сильном искрении;
- не использовать при появлении сильной вибрации;
- не использовать с перебитым или оголенным электрическим кабелем;
- не использовать при появлении дыма непосредственно из корпуса изделия.

Возможные ошибочные действия персонала

- не использовать с поврежденной рукояткой или поврежденным защитным кожухом;
- не использовать на открытом пространстве во время дождя;
- не включать при попадании воды в корпус.

Критерии предельных состояний

- перетерт или поврежден электрический кабель;
- поврежден корпус изделия.

Действия персонала в случае инцидента или критического отказа

1. Выключить инструмент.
2. Отключить инструмент от электросети.
3. Обратиться в сервисный центр.

УТИЛИЗАЦИЯ

Машина, выработавшая назначенный срок службы, подлежит утилизации в соответствии с правилами, установленными природоохранным и иным законодательством страны, в которой эксплуатируется машина.

RU

ХРАНЕНИЕ

Во время назначенного срока службы храните машину в сухом отапливаемом помещении. Рекомендуемая температура хранения от 0 °С до +40 °С. Храните машину в фирменной упаковке.

ТРАНСПОРТИРОВКА

Во время транспортировки недопустимо прямое воздействие осадков, прямых солнечных лучей, нагрева и ударов. Транспортировка должна осуществляться только в фирменной упаковке при температуре окружающей среды от -20 °С до +40 °С.

СРОК СЛУЖБЫ

Средний срок службы изделия при условии соблюдения потребителем правил эксплуатации составляет 5 лет.

ГАРАНТИЙНЫЕ ОБЯЗАТЕЛЬСТВА

На изделие распространяется гарантия производителя.

Период гарантийного обслуживания указан в гарантийном талоне и исчисляется с момента продажи. Правила гарантийного обслуживания приведены в гарантийном талоне.

ИМПОРТЕР

Импортер и продавец в РФ: ООО «МИР ИНСТРУМЕНТА», 142700, РФ, МО, г. Видное, ул. Радиальная 3-я, д. 8, пом. 1-Н, ком. 2; в РК: ТОО «Мир инструмента-Алматы», РК, Алматинская обл., Карасайский р-н, Ельтайский с/о, с. Береке. Телефон: +7 (495) 234-41-30.

Изготовитель: Suzhou Liangming Power Tools Co., Ltd. No. 5599 Wuzhong Avenue, Wuzhong district, Suzhou, Jiangsu Province.

Сделано в Китае.

Продукция соответствует требованиям:

ТР ТС 010/2011 «О безопасности машин и оборудования»,

ТР ТС 020/2011 «Электромагнитная совместимость технических средств»,

ТР ТС 037/2016 «Об ограничении применения опасных веществ в изделиях электротехники и радиоэлектроники».

Гарантийный талон

срок гарантии 36 месяцев

ВНИМАНИЕ!

Пожалуйста, требуйте от продавца полностью заполнить все поля гарантийного талона.

Наименование изделия:

Серийный номер:

Дата продажи:

Наименование и адрес торговой организации:

Изделие проверено в присутствии потребителя:

Печать торговой организации и подпись продавца:

Благодарим вас за приобретение нашей продукции. Фирма-изготовитель предоставляет на приобретенное вами изделие настоящую гарантию сроком на 36 месяцев со дня продажи.

ВНИМАНИЕ! ИЗДЕЛИЕ В ГАРАНТИЙНУЮ МАСТЕРСКУЮ СДАЕТСЯ В ЧИСТОМ ВИДЕ.

Гарантийные обязательства компании ООО «МИР ИНСТРУМЕНТА»

При покупке изделия требуйте проверки его комплектности и исправности в вашем присутствии, инструкцию по эксплуатации на русском языке и заполненный гарантийный талон.

Перед началом работы с данным изделием следует внимательно ознакомиться с инструкцией по эксплуатации. Все условия гарантии соответствуют действующему законодательству РФ.

Гарантийный срок на данное изделие составляет 36 месяцев и исчисляется со дня продажи конечному потребителю.

На аккумуляторные батареи, входящие в комплект поставки инструмента, а также на продающиеся отдельно гарантийный срок составляет 12 месяцев.

В случае устранения недостатков товара гарантийный срок на него продлевается на период, в течение которого товар находился в ремонте. Указанный период исчисляется со дня обращения потребителя с требованием об устранении недостатков товара до дня выдачи его по окончании ремонта.

Гарантийные обязательства распространяются только на неисправности, выявленные в течение гарантийного срока и обусловленные производственными или конструктивными факторами.

Гарантия не распространяется:

- Если детали были подвержены рабочему и другим видам естественного износа, а также при неисправности инструмента, вызванной данными видами износа.
- На неисправности инструмента, вызванные несоблюдением инструкций по эксплуатации или произошедшие в результате использования инструмента не по назначению, во время использования при неблагоприятных условиях окружающей среды, ненадлежащих производственных условиях, вследствие перегрузок или недостаточного, ненадлежащего технического обслуживания или ухода, в том числе при засорении топливной системы, самостоятельной регулировке карбюратора, работе при пониженном или повышенном напряжении питающей сети.
- При использовании изделия в условиях высокой интенсивности работ и сверхтяжелых нагрузок. К безусловным признакам перегрузки изделия относятся, помимо прочих, появление цветов побежалости, деформация или оплавление деталей и узлов изделия, потемнение или обугливание изоляции проводов под воздействием высокой температуры, коробление деталей и корпуса двигателя.
- На механические повреждения (трещины, сколы и т.д.) и повреждения, вызванные воздействием агрессивных сред, высокой влажности и высоких температур, попаданием инородных предметов в вентиляционные отверстия электроинструмента, а также повреждения, наступившие вследствие коррозии металлических частей и неправильного хранения.
- На естественный износ принадлежностей, быстроизнашивающихся частей и расходных материалов, таких как свечи зажигания, ручные стартеры ДВС, фильтры, приводные ремни, направляющие ролики, резиновые амортизаторы, уплотнители, прокладки, сальники, манжеты и другие РТИ, шины колес, защитные кожухи, пыльные цепи, пыльные шины, ведущие и ведомые звездочки, крыльчатки насосов, лески и головки для триммера, кабели питания, сварочные кабели, зажимы массы и электрододержатели, шланги, моечные пистолеты, форсунки, пенокомплекты, цанги, патроны, подошвы, угольные щетки, стволы перфораторов, ножи, пилки, абразивы, сверла, буры и т.п.
- При наличии следов вскрытия, ремонта или модификации инструмента вне уполномоченного сервисного центра.
- На повреждения и дефекты, вызванные неблагоприятными атмосферными и иными внешними воздействиями на изделие, такими как дождь, снег, повышенная влажность, нагрев, агрессивные среды, стихийное бедствие.
- В случае использования принадлежностей, расходных материалов и запасных частей, ГСМ, не рекомендованных производителем.
- На профилактическое и техническое обслуживание изделия, например: регулировку, чистку, смазку, замену расходных материалов и другие виды работ, не связанные с производственным дефектом.

Средний срок службы изделия – 5 лет.

Устранение неисправностей, признанных как гарантийный случай, осуществляется на выбор компании посредством ремонта или замены неисправного инструмента на новый (возможно, на модель следующего поколения). Замененные инструменты и детали переходят в собственность компании.

Гарантийные претензии принимаются в течение гарантийного срока. Для этого необходимо предъявить или отправить неисправный инструмент в сервисный центр (адреса и контактные данные указаны на сайте ipsremont.ru) или в торговую точку по месту приобретения товара, приложив заполненный гарантийный талон, подтверждающий дату покупки товара и его наименование. Инструмент, направленный в торговую точку или в сервисный центр в частично или полностью разобранном виде, под действие гарантии не подпадает. Все риски по пересылке инструмента в торговую точку или в сервисный центр несет владелец инструмента. Другие претензии, кроме упомянутого права на бесплатное устранение недостатков инструмента, под действие гарантии не подпадают.

С уважением, компания ООО «МИР ИНСТРУМЕНТА»

Изделие проверялось в моем присутствии, исправно, укомплектовано, внешний вид без повреждений. Всю необходимую для использования данного изделия информацию и руководство от продавца получил, с условиями гарантии ознакомлен и согласен, правильность заполнения гарантийного талона проверил.

_____ Подпись покупателя

Адреса и телефоны сервисных центров вы можете найти на сайте www.ipsremont.ru или уточнить в филиалах компании ООО «МИР ИНСТРУМЕНТА». Адреса и телефоны филиалов указаны на официальном сайте компании ООО «МИР ИНСТРУМЕНТА» www.instrument.ru.



СВЕДЕНИЯ О РЕМОНТЕ

№1 №1

ОТРЫВНОЙ ТАЛОН



Заполняется сервисным центром

Сервисный наряд №

Дата поступления

Дата выдачи

Наименование сервиса

Исполнитель Ф.И.О.

Печать сервисного центра и подпись ответственного лица

МП

Заполняется продавцом

Наименование изделия

Серийный номер

Дата продажи

МП

Печать торговой организации



СВЕДЕНИЯ О РЕМОНТЕ

№2 №2

ОТРЫВНОЙ ТАЛОН



Заполняется сервисным центром

Сервисный наряд №

Дата поступления

Дата выдачи

Наименование сервиса

Исполнитель Ф.И.О.

Печать сервисного центра и подпись ответственного лица

МП

Заполняется продавцом

Наименование изделия

Серийный номер

Дата продажи

МП

Печать торговой организации



СВЕДЕНИЯ О РЕМОНТЕ

№3 №3

ОТРЫВНОЙ ТАЛОН



Заполняется сервисным центром

Сервисный наряд №

Дата поступления

Дата выдачи

Наименование сервиса

Исполнитель Ф.И.О.

Печать сервисного центра и подпись ответственного лица

МП

Заполняется продавцом

Наименование изделия

Серийный номер

Дата продажи

МП

Печать торговой организации

Заполняется сервисным центром

Сервисный наряд №

Дата поступления

Дата выдачи

Наименование сервиса

Исполнитель Ф.И.О.

Контактная информация пользователя

Ф.И.О.:

Адрес:

Телефон:

Подпись покупателя _____ МП





Заполняется сервисным центром

Сервисный наряд №

Дата поступления

Дата выдачи

Наименование сервиса

Исполнитель Ф.И.О.

Контактная информация пользователя

Ф.И.О.:

Адрес:

Телефон:

Подпись покупателя _____ МП





Заполняется сервисным центром

Сервисный наряд №

Дата поступления

Дата выдачи

Наименование сервиса

Исполнитель Ф.И.О.

Контактная информация пользователя

Ф.И.О.:

Адрес:

Телефон:

Подпись покупателя _____ МП